

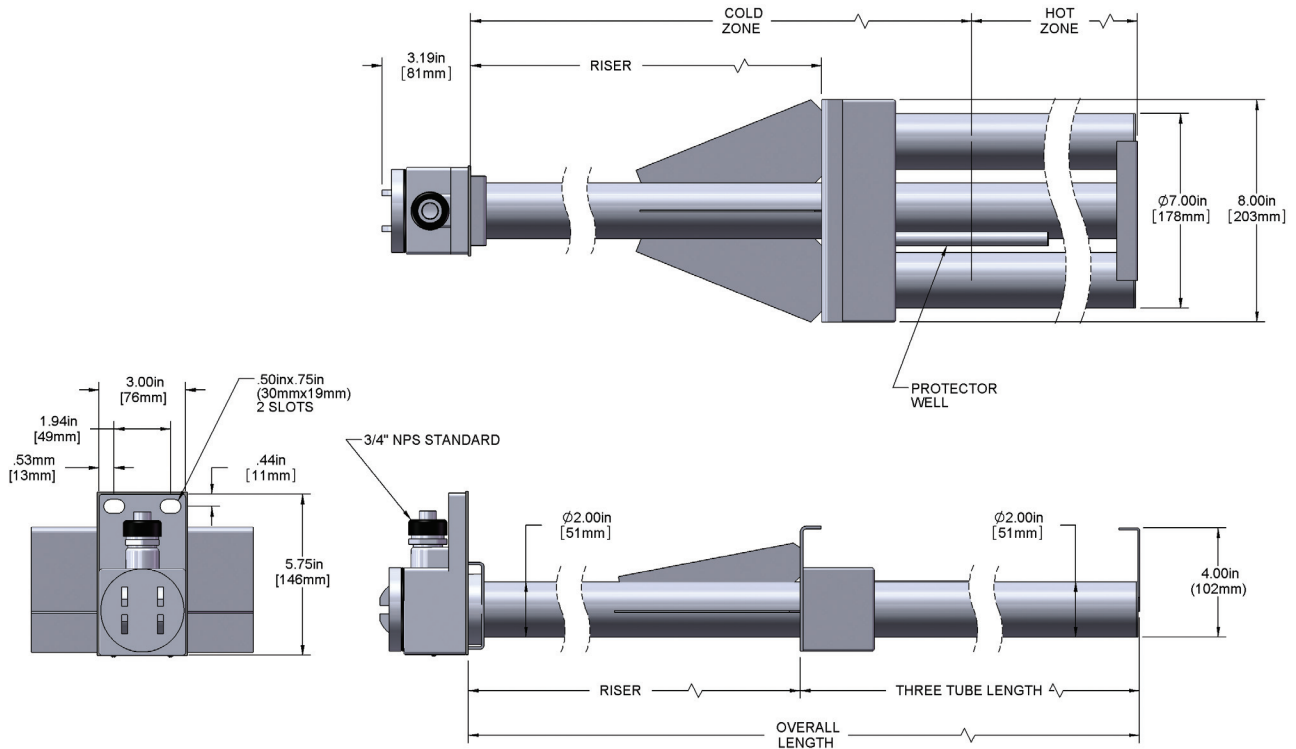
| 3V SERIES, TRIPLE METAL DEEP TANK HEATERS | | | | | | | | |
|---|-------|------------------------|----------|----------------|----------------|----------------|----------------|-------------------------|
| WATTS | VOLTS | HOT 3 TUBE ZONE LENGTH | | STEEL | 304 SS | 316 SS | TITANIUM | EST. SHIP WGT. Lbs./kg) |
| | | In./(mm) | In./(mm) | | | | | |
| 18000 | 240 | 30 | 36 | 3VP18236-R*-** | 3VF18236-R*-** | 3VS18236-R*-** | 3VT18236-R*-** | 70 |
| | 480 | (760) | (915) | 3VP18436-R*-** | 3VF18436-R*-** | 3VS18436-R*-** | 3VT18436-R*-** | (32) |
| 24000 | 240 | 37 | 44 | 3VP24244-R*-** | 3VF24244-R*-** | 3VS24244-R*-** | 3VT24244-R*-** | 75 |
| | 480 | (940) | (1120) | 3VP24444-R*-** | 3VF24444-R*-** | 3VS24444-R*-** | 3VT24444-R*-** | (34) |
| 27000 | 480 | 44 | 50 | 3VP27450-R*-** | 3VF27450-R*-** | 3VS27450-R*-** | 3VT27450-R*-** | 80 |
| | | (1120) | (1270) | | | | | (36) |
| 30000 | 480 | 49 | 55 | 3VP30455-R*-** | 3VF30455-R*-** | 3VS30455-R*-** | 3VT30455-R*-** | 87 |
| | | (1245) | (1400) | | | | | (40) |
| 36000 | 480 | 58 | 64 | 3VP36464-R*-** | 3VF36464-R*-** | 3VS36464-R*-** | 3VT36464-R*-** | 100 |
| | | (1475) | (1625) | | | | | (46) |
| 45000 | 480 | 66 | 72 | 3VP45472-R*-** | 3VF45472-R*-** | 3VS45472-R*-** | 3VT45472-R*-** | 120 |
| | | (1675) | (1830) | | | | | (55) |
| 48000 | 480 | 70 | 76 | 3VP48476-R*-** | 3VF48476-R*-** | 3VS48476-R*-** | 3VT48476-R*-** | 125 |
| | | (1780) | (1930) | | | | | (57) |
| 54000 | 480 | 78 | 84 | 3VP54484-R*-** | 3VF54484-R*-** | 3VS54484-R*-** | 3VT54484-R*-** | 140 |
| | | (1980) | (2135) | | | | | (64) |

* Specify cold zone required. Example: 3VP18236-R59-P2.

Product Features and Benefits:

- ◆ **SUPERIOR CHEMICAL RESISTANCE:** Materials available for use in most aqueous alkaline solutions, plating solutions, and rinse tanks. Check solution recommendation chart or with your chemical supplier for proper sheath material selection.
- ◆ **RUGGED CONSTRUCTION:** Heavy wall metal sheaths available in:
 - Steel.
 - 304 stainless steel.
 - 316 stainless steel.
 - Titanium.
- ◆ **LONG LASTING PERFORMANCE:** Watt densities of 35 watts per square inch (5.4 w/cm²) ensure long service life.
- ◆ **CORROSION RESISTANT HEAD:** Vapor resistant, flame retardant polypropylene terminal enclosure with 3-foot (.9m) flexible PVC liquid tight conduit.
- ◆ **SAFETY FEATURES:**
 - Grounded construction.
 - Thermal protector built in. Resettable P2 protector standard for solutions up to 180°F (82°C).
 - Non-floating construction.
- ◆ **CERTIFICATIONS:** UL listed (except steel) to U.S. and Canadian safety requirements, and CE.
- ◆ **SIZES:** 18,000 watts to 54,000 watts.
- ◆ **VOLTAGES:** 240 to 480 volts. Three phase standard, single phase available. Some amperage limitations apply, consult factory.
- ◆ **OPTIONS AVAILABLE (consult factory):**
 - Resettable thermal protectors:
 - P6: for solutions from up to 230°F (110°C).
 - Special configurations and lengths.
 - Longer wire and conduit lengths.
 - Lower watt densities for highly viscous solutions.
 - Temperature and level controls sized to match the heater.

DIMENSIONS



TRIPLE TUBE DEEP TANK METAL OVER THE SIDE HEATER ORDERING INFORMATION

| Series | Wattage | Voltage | Hot Zone Length (in.) | Riser Length | Options | Type of Protector | Wire and Conduit Length |
|--------|--|---|--|--|---------|---|---|
| | 18 = 18000 24 = 24000 27 = 27000 30 = 30000 36 = 36000 45 = 45000 48 = 48000 54 = 54000 | 2 = 240 3 = 380 4 = 480 5 = 415 6 = 600 7 = 400 8 = 208 9 = 220 0 = 200 | 30 = 18kW 37 = 24kW 44 = 27kW 49 = 30kW 58 = 36kW 66 = 45kW 70 = 48kW 78 = 54kW | specify custom lengths, not to exceed tank depth Ex: -R48 = 48" | | | no designator = 36" length standard specify variations from standard Ex: -X84 = 84" |
| | 3VP = steel 3VF = 304 stainless steel 3VS = 316 stainless steel 3VT = titanium | | | | | Resettable Protector (additional control components required) | |
| | | | | | | -P2 for solutions up to 180°F -P6 for 180° - 230°F solutions | |
| | | | | | | | 1 inch = 25.4mm |
| | | | | | | | no designator = three phase power (standard) -1 = single phase power |

ORDERING EXAMPLE:

3VPI8236-R59-P2

Triple tube, deep tank, plain steel, 18,000 watts, 240 volt, 36" three tube length, 59" riser, P2 protector.

**PROCESS
TECHNOLOGY**