

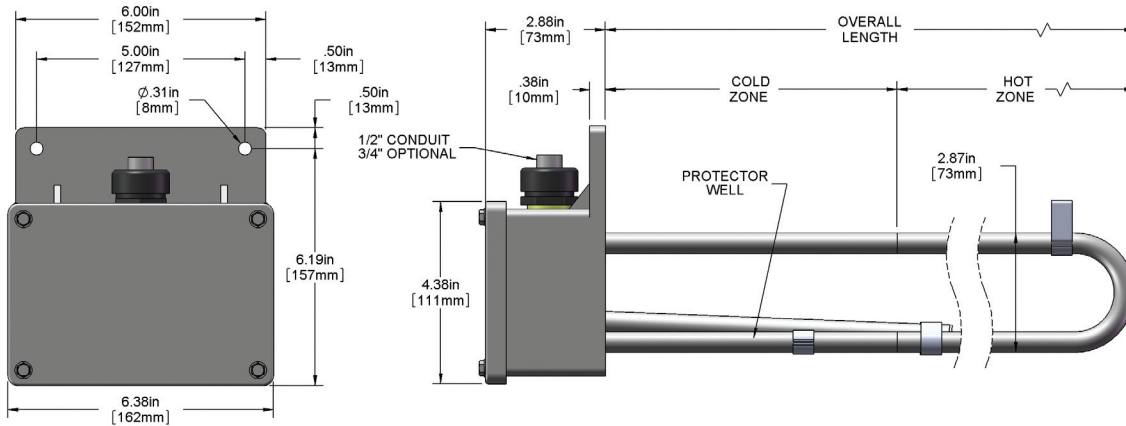
6HS SERIES, SIX ELEMENT STAINLESS STEEL HEATERS					
WATTS	VOLTS	HOT ZONE In./(mm)	OVERALL LENGTH In./(mm)	MODEL NUMBER	SHIP WGT. Lbs./(kg)
6000	240	10	17	6HS6217-**-	12
	480	(255)	(430)	6HS6417-**-	(5.5)
9000	240	16	23	6HS9223-**-	13
	480	(405)	(585)	6HS9423-**-	(6)
15000	240	20	29	6HS15229-**-	16
	480	(510)	(735)	6HS15429-**-	(7.5)
21000	240	25	34	6HS21234-**-	18
	480	(635)	(865)	6HS21434-**-	(8.5)

Three phase standard, single phase available as option. Add "-1" before thermal protector designator.

## Product Features and Benefits:

- ◆ **SUPERIOR CHEMICAL RESISTANCE:** For use in most aqueous alkaline solutions and rinse tanks. Check solution recommendation chart or with your chemical supplier for proper sheath material selection.
- ◆ **RUGGED CONSTRUCTION:** Heavy wall metal sheaths in 316 stainless steel.
- ◆ **OUTSTANDING PERFORMANCE:** Watt densities of 40 watts per square inch (6.2 w/cm<sup>2</sup>) use minimal space and ensure long service life.
- ◆ **CORROSION RESISTANT HEAD:** Vapor tight, flame retardant polypropylene terminal enclosure with 3-foot (.9m) flexible PVC liquid tight conduit.
- ◆ **SAFETY FEATURES:**
  - Grounded construction.
  - Thermal protector built in. Replaceable P1 thermal protector standard for solutions up to 180°F (82°C).
  - Non-floating construction.
- ◆ **CERTIFICATIONS:** UL listed to U.S. and Canadian safety requirements, and CE (except 600 volts).
- ◆ **SIZES:** 6,000 watts to 21,000 watts.
- ◆ **VOLTAGES:** 240 or 480 volts. 208, 380, 415, 600 and other voltages available. Three phase standard, single phase available.
- ◆ **OPTIONS AVAILABLE (consult factory):**
  - Replaceable thermal protectors:
    - P4: for solutions from 180°F (82°C) to 230°F (110°C).
  - Resettable thermal protectors:
    - P2: for solutions up to 180°F (82°C).
    - P6: for solutions from 180°F (82°C) to 230°F (110°C).
  - L-Shaped and other special configurations and lengths.
  - Longer wire and conduit lengths.
  - Lower watt densities for highly viscous solutions.
  - Titanium elements.
  - Temperature and level controls sized to match the heater.

## DIMENSIONS



## 6 ELEMENT OVER THE SIDE HEATER ORDERING INFORMATION

Series	Wattage	Voltage	Overall Length (in.)	Options	Type of Fuse	Wire and Conduit Length
	6 = 6000 9 = 9000 15 = 15000 21 = 21000	1 = 120 2 = 240 3 = 380 4 = 480 5 = 415 6 = 600 7 = 400 8 = 208 9 = 220 0 = 200	17 = 6kW 23 = 9kW 29 = 15kW 34 = 21kW			36" length standard (no designator) specify variations from standard Ex: -X84 = 84"
	6HS = 6 element, 316 stainless steel					
	no designator = three phase power (standard) -1 = single phase power					
					<b>Replaceable Fuse</b> -P1 (std) for solutions up to 180°F -P4 for 180° - 230°F solutions	
					<b>Resettable Fuse</b> (additional control components required) -P2 for solutions up to 180°F -P6 for 180° - 230°F solutions	
					1 inch = 25.4mm	

### ORDERING EXAMPLE:

6HS6217-1-P1

6 element, 316 stainless steel, 6000 watt, 240 volt, 17" overall length, single phase, P1 thermal protector.

