

9HS SERIES, NINE ELEMENT STAINLESS STEEL HEATERS

WATTS	VOLTS	HOT ZONE In./(mm)	OVERALL LENGTH In./(mm)	MODEL NUMBER	SHIP WGT. Lbs./(kg)
9000	240	10	17	9HS9217-**	16
	480	(255)	(430)	9HS9417-**	(7.5)
13500	240	16	23	9HS13.5223-**	19
	480	(405)	(585)	9HS13.5423-**	(9)
22500	240	20	29	9HS22.5229-**	23
	480	(510)	(735)	9HS22.5429-**	(10.5)
31500	240*	25	34	9HS31.5234-M-**	25
	480	(635)	(835)	9HS31.5434-**	(11.5)

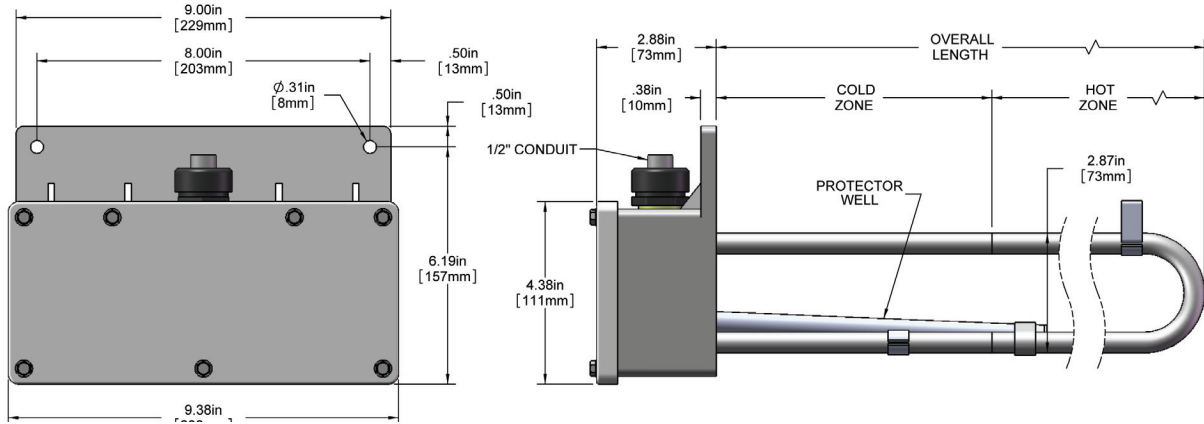
Three phase standard, single phase available as option. Add "-1" before thermal protector designator.

* Requires welded metal junction box and permanent P2 thermal overload protection.

Product Features and Benefits:

- ◆ **SUPERIOR CHEMICAL RESISTANCE:** For use in most aqueous alkaline solutions and rinse tanks. Check solution recommendation chart or with your chemical supplier for proper sheath material selection.
- ◆ **RUGGED CONSTRUCTION:** Heavy wall metal sheaths in 316 stainless steel.
- ◆ **OUTSTANDING PERFORMANCE:** Watt densities of 40 watts per square inch (6.2 w/cm²) use minimal space and ensure long service life.
- ◆ **CORROSION RESISTANT HEAD:** Vapor resistant, flame retardant polypropylene terminal enclosure with 3-foot (.9m) flexible PVC liquid tight conduit.
- ◆ **SAFETY FEATURES:**
 - Grounded construction.
 - Thermal protector built in. Replaceable P1 protector standard for solutions up to 180°F (82°C).
 - Non-floating construction.
- ◆ **CERTIFICATIONS:** UL listed to U.S. and Canadian safety requirements, and CE (except 600 volts).
- ◆ **SIZES:** 9,000 watts to 31,500 watts.
- ◆ **VOLTAGES:** 200 to 600 volts. Three phase standard, single phase available.
- ◆ **OPTIONS AVAILABLE** (consult factory):
 - Replaceable thermal protectors:
 - P4: for solutions from 180°F (82°C) to 230°F (110°C).
 - Resettable thermal protectors:
 - P2: for solutions up to 180°F (82°C).
 - P6: for solutions from 180°F (82°C) to 230°F (110°C).
 - L-Shaped and other special configurations and lengths.
 - Longer wire and conduit lengths.
 - Lower watt densities for highly viscous solutions.
 - Titanium elements.
 - Temperature and level controls sized to match the heater.

DIMENSIONS



NINE ELEMENT OVER THE SIDE HEATER ORDERING INFORMATION

Series	Wattage	Voltage	Overall Length (in.)	Options	Type of Protector	Wire and Conduit Length
	9 = 9000 13.5 = 13500 22.5 = 22500 31.5 = 31500	2 = 240 3 = 380 4 = 480 5 = 415 6 = 600 7 = 400 8 = 208 9 = 220 0 = 200	17 = 9kW 23 = 13.5kW 29 = 22.5kW 34 = 31.5kW			36" length standard (no designator) specify variations from standard Ex: -X84 = 84"
	9HS = 9 element, 316 stainless steel					
	no designator = three phase power (standard) -1 = single phase power					
					Replaceable Protector -P1 (std) for solutions up to 180°F -P4 for 180° - 230°F solutions	
					Resettable Protector -P2 for solutions up to 180°F -P6 for 180° - 230°F solutions	
					1 inch = 25.4mm	

ORDERING EXAMPLE:

9HS9817-P4-X96

9 element, 316 stainless steel, 9000 watt, 208 volt, 17" overall length, P4 protector, 96" conduit and leads.

