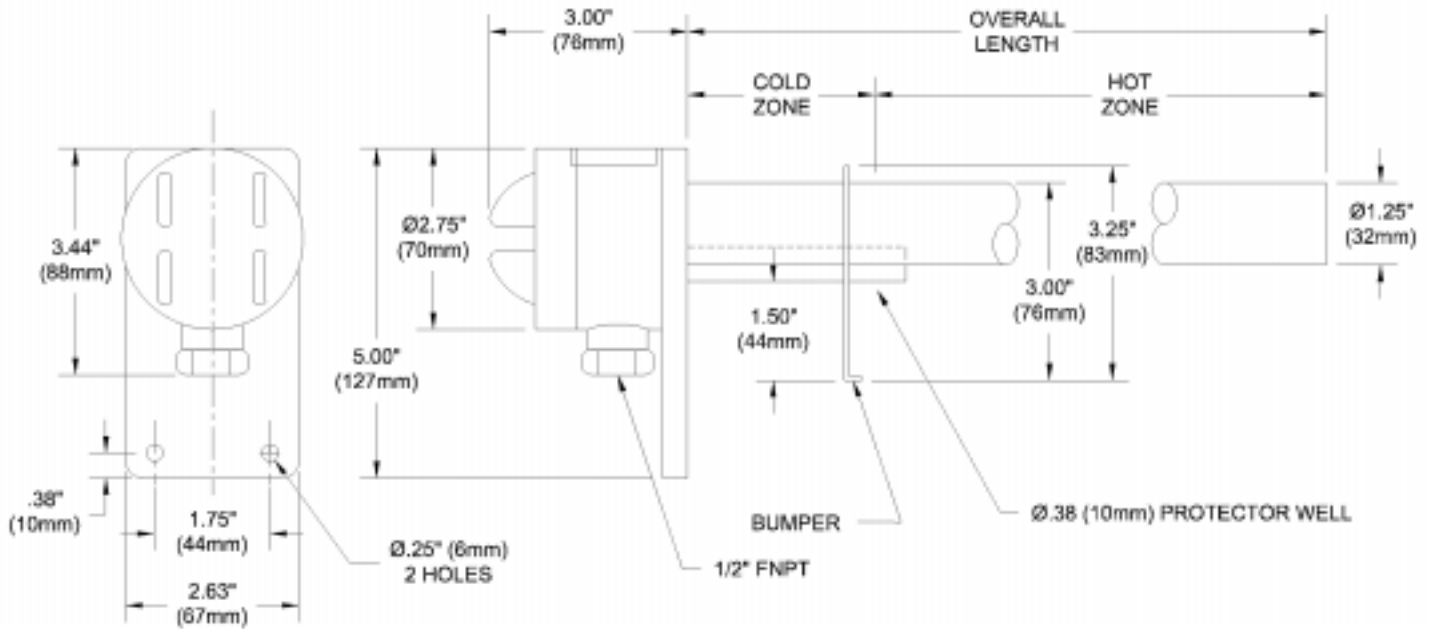


B SERIES, SMALL TANK METAL HEATERS							
WATTS	VOLTS	HOT ZONE	OVERALL LENGTH	304 SS	316 SS	TITANIUM	SHIP WGT.
		ln./(mm)	ln./(mm)				Lbs./(kg)
500	120	5	10	FB.5110-**	SB.5110-**	TB.5110-**	5
	240	(130)	(255)	FB.5210-**	SB.5210-**	TB.5210-**	(2)
1000	120	8	14	FB1114-**	SB1114-**	TB1114-**	6
	240	(205)	(355)	FB1214-**	SB1214-**	TB1214-**	(3)
1500	120	11	17	FB1.5117-**	SB1.5117-**	TB1.5117-**	8
	240	(280)	(430)	FB1.5217-**	SB1.5217-**	TB1.5217-**	(3.5)
2000	120	14	23	FB2123-**	SB2123-**	TB2123-**	9
	240	(355)	(585)	FB2223-**	SB2223-**	TB2223-**	(4)

Product Features and Benefits:

- ◆ **SUPERIOR CHEMICAL RESISTANCE:** Materials available for use in most aqueous alkaline solutions, plating solutions, and rinse tanks. Check solution recommendation chart or with your chemical supplier for proper sheath material selection.
- ◆ **RUGGED CONSTRUCTION:** Heavy wall metal sheaths available in:
 - 304 stainless steel.
 - 316 stainless steel.
 - Titanium.
- ◆ **OUTSTANDING PERFORMANCE:** Watt densities of 45 watts per square inch (6.9 w/cm²) ensure long service life.
- ◆ **CORROSION RESISTANT HEAD:** Vapor tight, flame retardant polypropylene terminal enclosure with 3-foot (.9m) flexible PVC liquid tight conduit.
- ◆ **SAFETY FEATURES:**
 - Grounded construction.
 - Thermal protector built in. Replaceable PT-I fuse standard for solutions up to 180°F (82°C).
 - Non-floating construction.
- ◆ **CERTIFICATIONS:** UL, CSA, and CE.
- ◆ **SIZES:** 500 watts to 2,000 watts.
- ◆ **VOLTAGES:** 120 or 240 volts. 208 and other voltages available. Single phase only.
- ◆ **OPTIONS AVAILABLE** (consult factory):
 - Replaceable thermal protectors:
 - PT-IM: for solutions from 180°F (82°C) to 230°F (110°C).
 - PT-IH: for solutions from 230°F (110°C) to 300°F (150°C).
 - Resettable thermal protectors:
 - PT-II: for solutions up to 180°F (82°C).
 - PT-IIIM: for solutions from 180°F (82°C) to 230°F (110°C).
 - PT-IIH: for solutions from 230°F (110°C) to 300°F (150°C).
 - Special configurations and lengths.
 - Longer wire and conduit lengths.
 - Pre-wired plug-in connector for easy and quick installation.
 - Lower watt densities for highly viscous solutions.
 - Temperature and level controls sized to match the heater.

DIMENSIONS



SMALL TANK METAL HEATER ORDERING INFORMATION

Series	Wattage	Voltage	Length (in.)	Options	Type of Fuse	Wire and Conduit Length
	.5 = 500 1 = 1000 1.5 = 1500 2 = 2000	1 = 120 2 = 240 4 = 480 -208 = 208 -380 = 380 -415 = 415	10 = .5kW 14 = 1kW 17 = 1.5kW 23 = 2kW specify custom lengths, not to exceed tank depth			no designator = 36" length standard specify variations from standard Ex: -X84 = 84"
	FB = 304 Stainless Steel SB = 316 Stainless Steel TB = Titanium					
	-X = any special configuration not called out in the part number (specify in clear text) no designator = single phase power (standard)					
					Replaceable Fuse	
					-PT-I (std)	for solutions up to 180°F
					-PT-IM	for 180° - 230°F solutions
					-PT-IH	for 230° - 300°F solutions
					Resettable Fuse	
					(additional control components required)	
					-PT-II	for solutions up to 180°F
					-PT-IIM	for 180° - 230°F solutions
					-PT-IIH	for 230° - 300°F solutions

ORDERING EXAMPLE:

FB2123-PT-I

304 stainless steel, 2,000 watts, 120 volts, 23" length, PT-I fuse.

**PROCESS
TECHNOLOGY**