

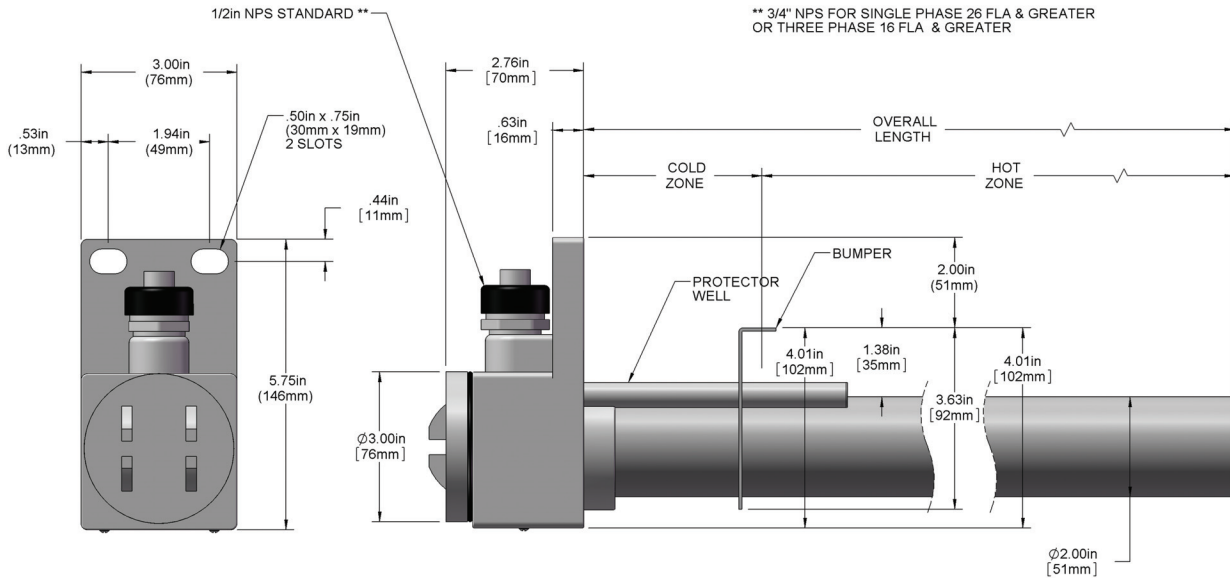
DEEP TANK, METAL HEATERS									
WATTS	VOLTS	HOT ZONE In./(mm)	OVERALL LENGTH In./(mm)	STEEL	304 SS	316 SS	TITANIUM	SHIP WGT. Lbs./(kg)	
12000	240	58	96	P12296-**	F12296-**	S12296-**	T12296-**	37	
	480	(1475)	(2440)	P12496-**	F12496-**	S12496-**	T12496-**	(17)	
12000	240	58	120	P122120-**	F122120-**	S122120-**	T122120-**	45	
	480	(1475)	(3050)	P124120-**	F124120-**	S124120-**	T124120-**	(20)	
12000	240	58	144	P122144-**	F122144-**	S122144-**	T122144-**	53	
	480	(1475)	(3655)	P124144-**	F124144-**	S124144-**	T124144-**	(24)	
15000	480	76 (1930)	96(2440)	P15496-**	F15496-**	S15496-**	T15496-**	37 (17)	
15000	480	76 (1930)	120 (3050)	P154120-**	F154120-**	S154120-**	T154120-**	45 (20)	
15000	480	76 (1930)	144 (3655)	P154144-**	F154144-**	S154144-**	T154144-**	53 (24)	
18000	480	82 (2085)	96(2440)	P18496-**	F18496-**	S18496-**	T18496-**	37 (17)	
18000	480	82 (2085)	120 (3050)	P184120-**	F184120-**	S184120-**	T184120-**	45 (20)	
18000	480	82 (2085)	144 (3655)	P184144-**	F184144-**	S184144-**	T184144-**	53 (24)	

Three phase available as option. Add "-3" before thermal protector designator. Heaters 15,000 watts and higher at 240 volts are available in three phase only.

## Product Features and Benefits:

- ◆ **SUPERIOR CHEMICAL RESISTANCE:** Materials available for use in most aqueous alkaline solutions, plating solutions, and rinse tanks. Check solution recommendation chart or with your chemical supplier for proper sheath material selection.
- ◆ **RUGGED CONSTRUCTION:** Heavy wall metal sheaths available in:
  - Steel.
  - 304 stainless steel.
  - 316 stainless steel.
  - Titanium.
- ◆ **OUTSTANDING PERFORMANCE:** Watt densities of 35 watts per square inch (5.4 w/cm<sup>2</sup>) ensure long service life.
- ◆ **CORROSION RESISTANT HEAD:** Vapor resistant, flame retardant polypropylene terminal enclosure with 3-foot (.9m) flexible PVC liquid tight conduit.
- ◆ **SAFETY FEATURES:**
  - Grounded construction.
  - Thermal protector built in. Replaceable P1 fuse standard for solutions up to 180°F (82°C).
  - Non-floating construction.
- ◆ **CERTIFICATIONS:** UL listed (except steel) to U.S. and Canadian safety requirements, and CE (except 600 volts).
- ◆ **SIZES:** 12,000 watts to 18,000 watts.
- ◆ **VOLTAGES:** 240 to 600 volts. Single phase standard, three phase available.
- ◆ **OPTIONS AVAILABLE (consult factory):**
  - Replaceable thermal protectors:
    - P4: for solutions from 180°F (82°C) to 230°F (110°C).
  - Resettable thermal protectors:
    - P2: for solutions up to 180°F (82°C).
    - P6: for solutions from 180°F (82°C) to 230°F (110°C).
  - Special configurations and lengths.
  - Longer wire and conduit lengths.
  - Lower watt densities for highly viscous solutions.
  - Temperature and level controls sized to match the heater.

# DIMENSIONS



## SINGLE TUBE DEEP TANK METAL OVER THE SIDE HEATER ORDERING INFORMATION

Series	Wattage	Voltage	Length (in.)	Options	Type of Fuse	Wire and Conduit Length
	12 = 12000 15 = 15000 18 = 18000	2 = 240 3 = 380 4 = 480 5 = 415 6 = 600	96 120 144			no designator = 36" length standard specify variations from standard Ex: -X84 = 84"
	P = steel F = 304 stainless steel S = 316 stainless steel T = titanium					
	no designator = single phase power (standard) -3 = three phase power					
					<b>Replaceable Protector</b>	
					-P1 (std)	for solutions up to 180°F
					-P4	for 180° - 230°F solutions
					<b>Resettable Protector</b>	
					(additional control components required)	
					-P2	for solutions up to 180°F
					-P6	for 180° - 230°F solutions

1 inch = 25.4mm

### ORDERING EXAMPLE:

S12496-3-P1

Over-the-side, 316 stainless steel, 12,000 watts, 480 volt, 96" overall length, 3 phase, P1 protector.

**PROCESS  
TECHNOLOGY**