

**PROCESS
TECHNOLOGY**

LTFH Series

High Temperature Filter Housing

The LTFH Series Filter Housing is designed for continuous filtering of high temperature corrosive chemicals. The filter housing delivers superior field service life because it is reusable, so only the filter cartridge needs to be replaced.

SPECIFICATIONS:

Construction:

- 100% heavy wall PTFE fluoropolymer wetted surfaces
- End cap mounting holes
- Filter body slides on and locks into position by means of a spin-on ring assembly (spanner wrench included)
- Able to be mounted upright or inverted (mounting bracket available)

Housing sizes available for (cartridge not provided):

- 70mm, 10-inch, 222 o-ring SOE filter cartridge
- 83mm, 10-inch, 222 o-ring SOE filter cartridge
- 70mm, 20-inch, 222 o-ring SOE filter cartridge

Fluid connections:

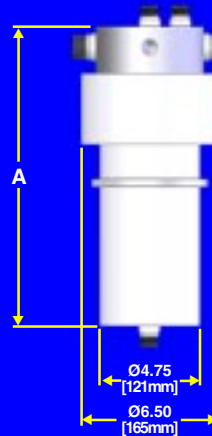
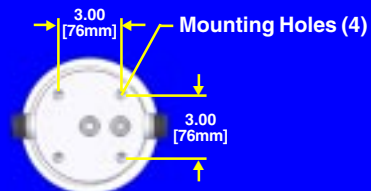
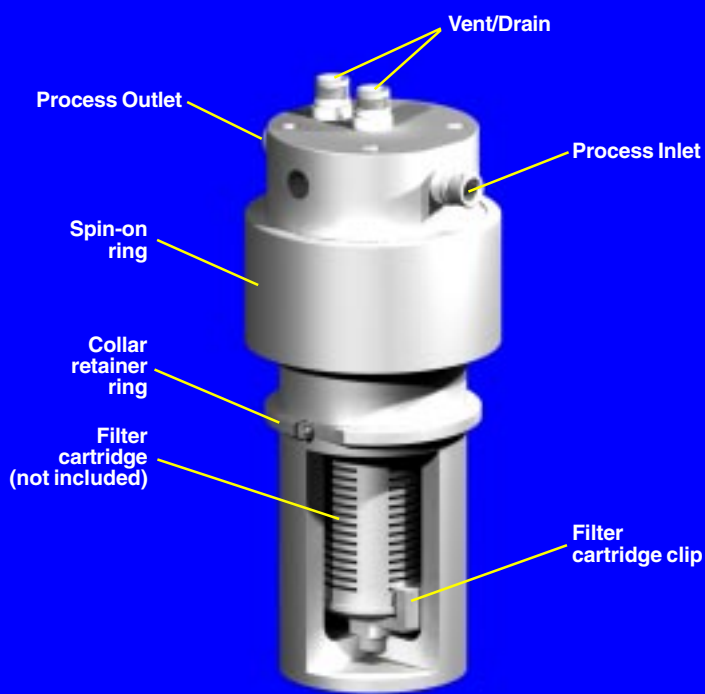
- 1/2-inch (12mm) to 1-inch (25mm) Flaretek® or Super 300 Type Pillar® process connections
- 1/8-inch (3mm) to 1/2-inch (12mm) Flaretek® or Super 300 Type Pillar® drain/vent connections

Temperature and pressure range: Up to 180° C (356° F) continuous at 2.75 bar (40 PSI).

FEATURES AND BENEFITS:

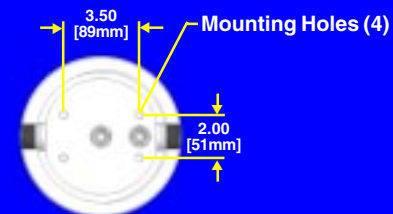
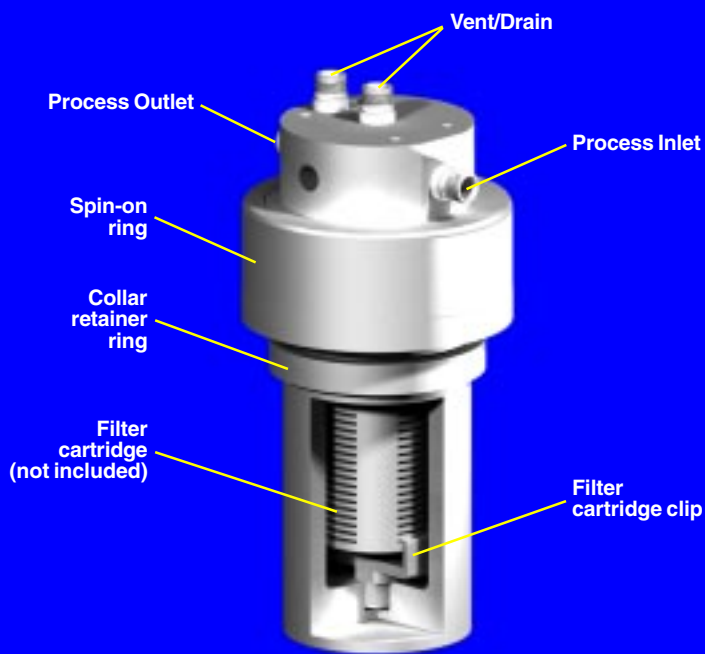
- **Reduced cost of ownership (COO):** The housing design eliminates the need to replace the filter housing when the cartridge is replaced.
- **Easy filter cartridge replacement:** Spin-on ring assembly not only ensures a positive seal every time, but it also enables quick and easy cartridge replacement with no damage to the housing o-ring. Housing collar retainer ring and filter cartridge clip substantially reduce cartridge maintenance clearance space.
- **Reduced downtime (MTTR):** Fast filter cartridge change-outs without the need for removing the fluid connections.
- **Long service life:** Durable, heavy wall PTFE construction lasts substantially longer than comparable thin wall PFA housings.
- **Outstanding chemical compatibility:** 100% PTFE fluoropolymer wetted surfaces are compatible with virtually all chemistries.





FILTER LENGTH	"A" DIMENSION
10" (254mm)	14.25" (362mm)
20" (508mm)	24.31" (618mm)

70mm FILTER HOUSING



83mm FILTER HOUSING

