

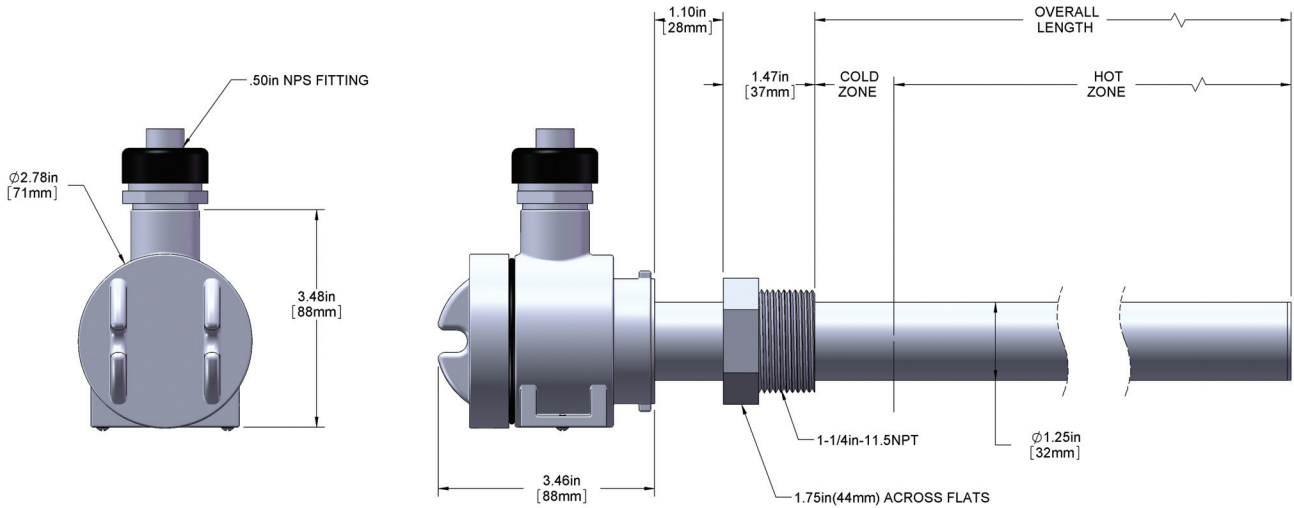
TB SERIES, 1-1/4" SMALL TANK SCREW PLUG HEATERS							
WATTS	VOLTS	OVERALL LENGTH In./ (mm)	NPT	304 SS	316 SS	TITANIUM	SHIP WGT. Lbs./ (kg)
500	120	8	1-1/4"	FTB.5108	STB.5108	TTB.5108	8
	240	(205)		FTB.5208	STB.5208	TTB.5208	(4)
1000	120	10	1-1/4"	FTB1110	STB1110	TTB1110	10
	240	(255)		FTB1210	STB1210	TTB1210	(4.5)
1500	120	14	1-1/4"	FTB1.5114	STB1.5114	TTB1.5114	14
	240	(355)		FTB1.5214	STB1.5214	TTB1.5214	(6.5)
2000	120	17	1-1/4"	FTB2117	STB2117	TTB2117	17
	240	(430)		FTB2217	STB2217	TTB2217	(8)

Single phase only.

Product Features and Benefits:

- ◆ **SUPERIOR CHEMICAL RESISTANCE:** Materials available for use in most aqueous alkaline, plating solutions and rinse tanks. Check solution recommendation chart or with your chemical supplier for proper sheath material selection.
- ◆ **RUGGED CONSTRUCTION:** Heavy wall metal sheaths and screwplug available in:
 - Steel.
 - 304 stainless steel.
 - 316 stainless steel.
 - Titanium.
- ◆ **OUTSTANDING PERFORMANCE:** Watt densities of 40 watts per square inch (6.2 w/cm²) ensure long service life.
- ◆ **CORROSION RESISTANT HEAD:** Vapor resistant, flame retardant polypropylene terminal enclosure with 3-foot (.9m) flexible PVC liquid tight conduit.
- ◆ **SAFETY FEATURES:** Grounded construction.
- ◆ **CERTIFICATIONS:** UL listed to U.S. and Canadian safety requirements, and CE.
- ◆ **SIZES:** 500 watts to 2,000 watts.
- ◆ **VOLTAGES:** 120 to 480 volts. Single phase only.
- ◆ **OPTIONS AVAILABLE (consult factory):**
 - Special configurations and lengths.
 - Explosion resistant enclosures.
 - Longer wire and conduit lengths.
 - Lower watt densities for highly viscous solutions.
 - Temperature and level controls sized to match the heater.

DIMENSIONS



1 1/4" TUBULAR SCREW PLUG HEATER ORDERING INFORMATION

Series	Wattage	Voltage	Length (in.)	Options	Wire and Conduit Length
FTB = 304 stainless steel STB = 316 stainless steel TTB = titanium	.5 = 500 1 = 1000 1.5 = 1500 2 = 2000	1 = 120 2 = 240 3 = 380 4 = 480 5 = 415 7 = 400 8 = 208 9 = 220 0 = 200	8 = .5kW 10 = 1kW 14 = 1.5kW 17 = 2kW (custom lengths available)	single phase power only no designator = 36" length standard, specify variations from standard Ex: -X84 = 84" 1 inch = 25.4mm	

ORDERING EXAMPLE:

FTB2117
 304 stainless steel, 2,000 watts, 120 volts, 17" overall length.

