**VB SERIES, VACUUM BREAKERS**

SIZE (NPT)	MODEL NUMBER	SHIP WGT. Lbs./kg
1/2"	VB-5	1 (.5)

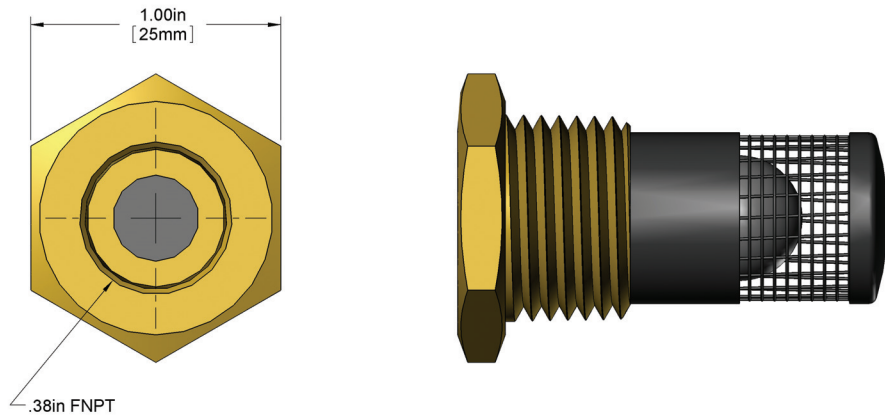
Recommended for all fluoropolymer heat exchangers used with steam service.

## Product Features and Benefits:

- ◆ **STEAM HEATING APPLICATIONS:** Protects fluoropolymer heat exchangers from collapse damage due to vacuum conditions that often occur in steam lines.
- ◆ **RUGGED CONSTRUCTION:** Brass body with stainless steel operating mechanism and EPR O-ring seat.
- ◆ **EASY INSTALLATION.**
- ◆ **CAPACITIES:**
  - 1/2-inch FNPT only.
  - Maximum steam service: 50 PSIG.
  - Maximum temperature rating: 365°F (185°C).
  - Can be installed in any position.

**NOTE:** One vacuum breaker should be installed immediately downstream from each fluoropolymer heat exchanger in the system.

## DIMENSIONS



## VACUUM BREAKER ORDERING INFORMATION

Series	Size (NPT)
VB	-5 = 1/2"

### **ORDERING EXAMPLE:**

VB-5  
Vacuum breaker, 1/2" NPT.

**PROCESS  
TECHNOLOGY**